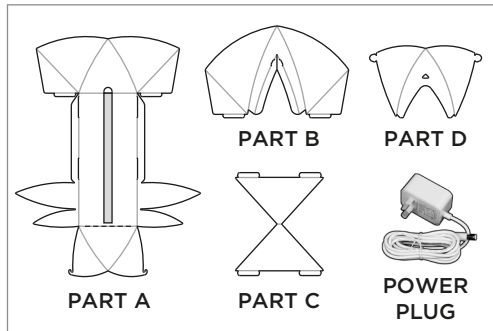


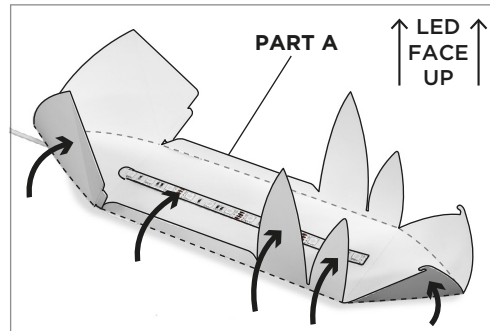


# Sydney Opera House Light Assembly Instructions

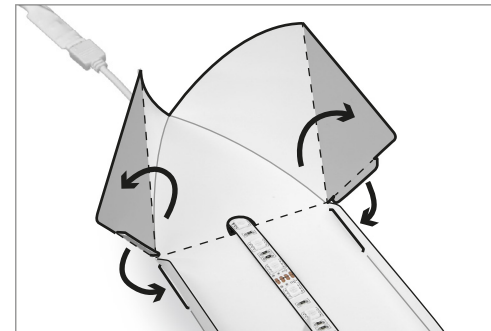
For more information and an assembly video, please scan the QR



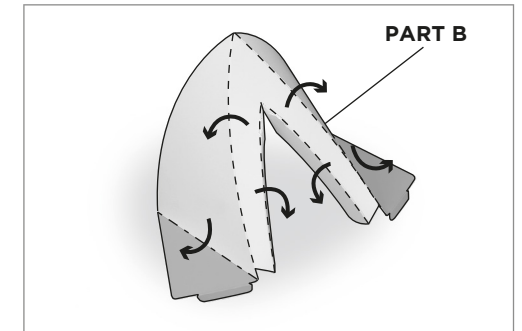
1. The Opera House light is made up of the parts shown above. Pre-fold all parts for best results.



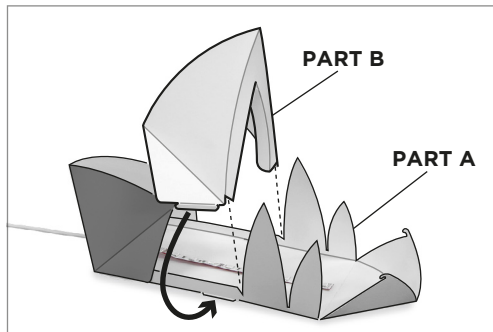
2. Locate part A. Place so the LED strip faces up. Then, fold all of the side flaps up.



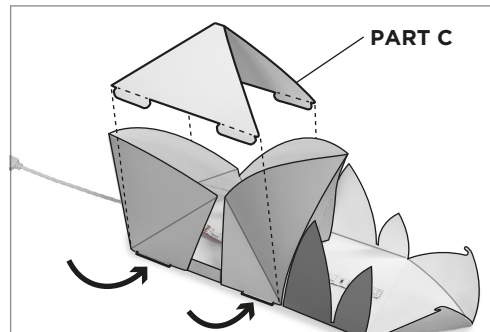
3. At the cord end, first fold the two triangle flaps away. Then insert the tabs into the slots.



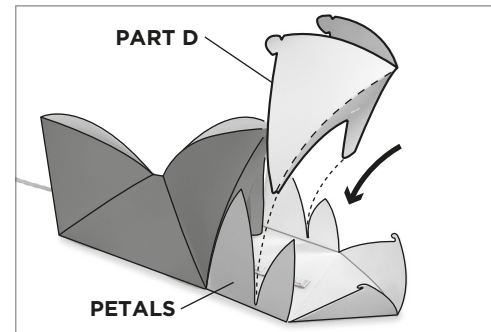
4. Locate part B and pre-fold all of the creases. The two triangles fold in the opposite direction.



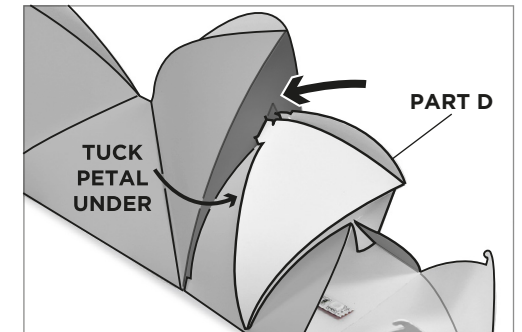
5. Place part B onto part A. Insert the two tabs into the slots to join them together.



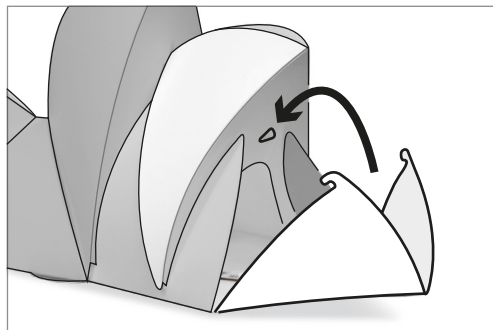
6. Repeat process with part C. Fold part C up and insert the tabs into part A to join together.



7. Locate part D and pre-fold the two creases. Loosely place onto part A between the petals.



8. Insert the tabs on part D into the slots. The larger petal should be tucked under part D.



9. Fold the remaining flaps up and hook the ends into the small hole. The petal should tuck underneath.

**10. Assembly Complete**  
Plug the light in at the wall and turn it on!

