
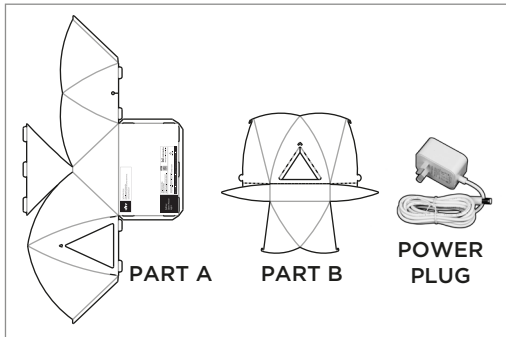


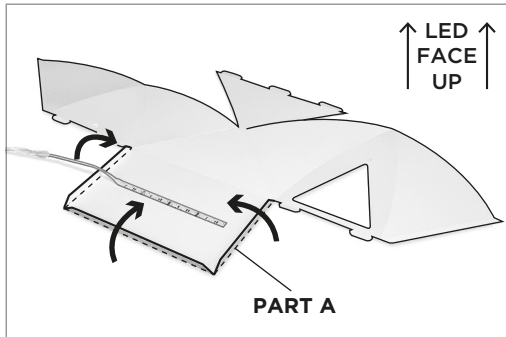


Sydney Opera House Light Assembly Instructions

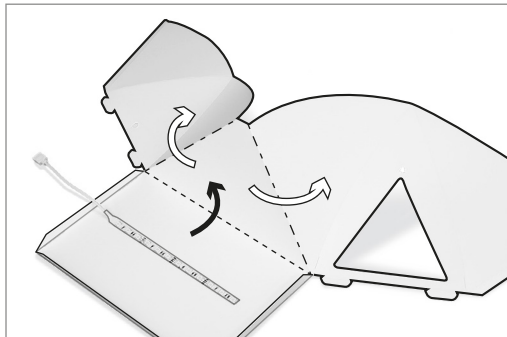
For more information and an assembly video, please scan the QR 



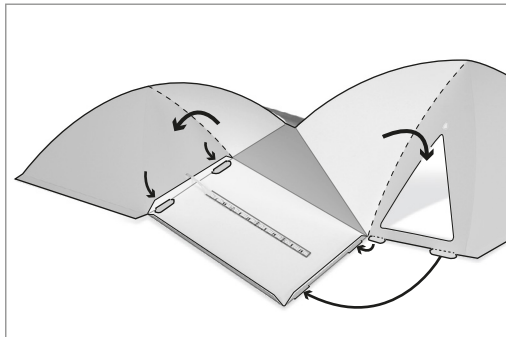
1. The Opera House light is made up of the parts shown above. Pre-fold all parts for best results.



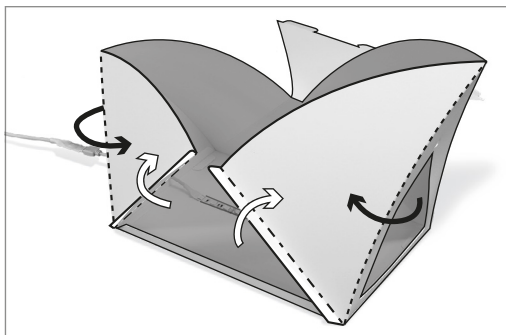
2. Locate PART A. Place so the LED strip faces up. Fold the three flaps up as shown.



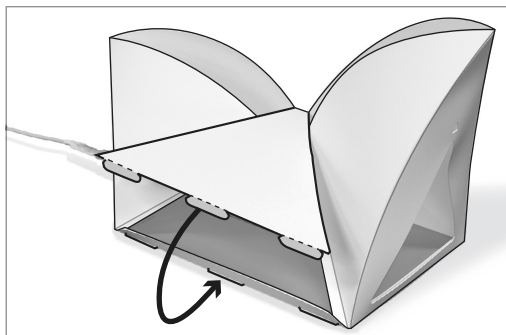
3. Fold along the creases shown. Black arrows = Fold inwards. White arrows = Fold away.



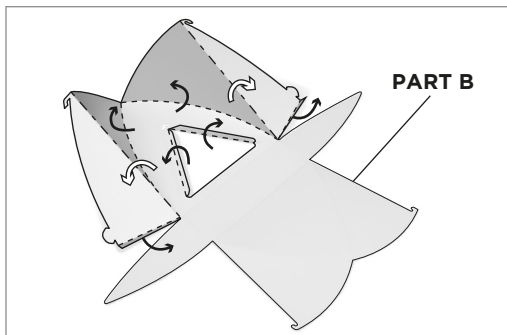
4. Fold the left and right sides around, then insert the tabs into the base.



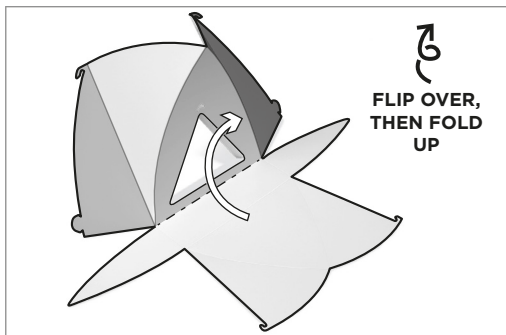
5. Continue folding the left and right sides around. Fold the small flaps outwards.



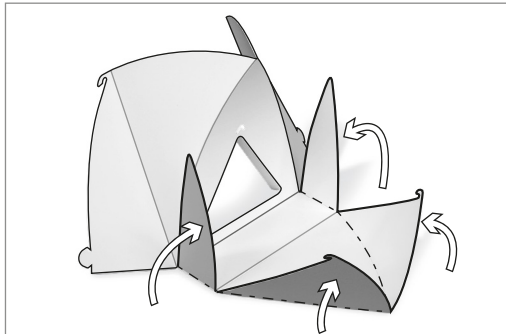
6. Close up PART A by folding the triangle section over and inserting the three tabs into the slots.



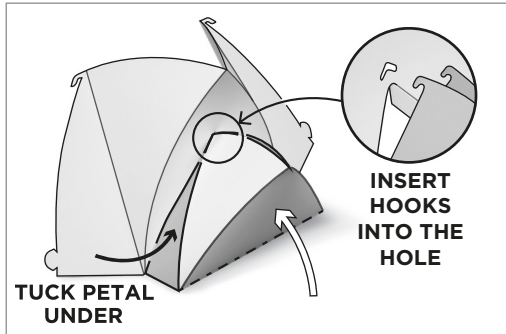
7. Locate PART B. Fold along the creases as shown.



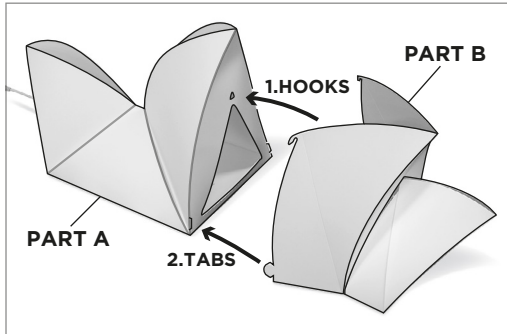
8. Flip the part over onto its back. Fold the section from step 7 up.



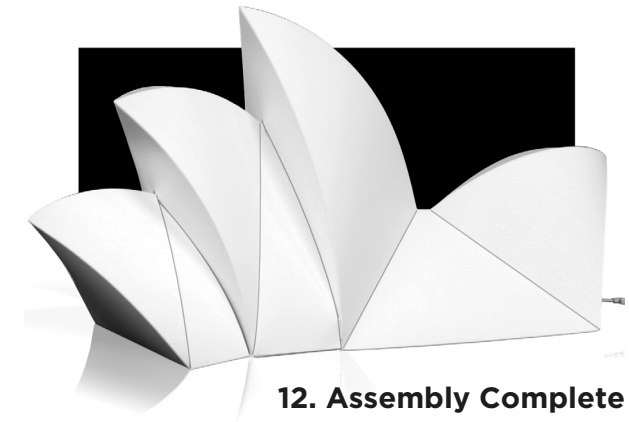
9. Fold the remaining panels up.



10. Insert the hooks into the hole. The petals should tuck underneath.



11. Join PART A and PART B. First insert the hooks into the hole, then push the tabs into the slots.



12. Assembly Complete. Plug the light in at the wall and turn it on!