

What is Cor-Vent®?

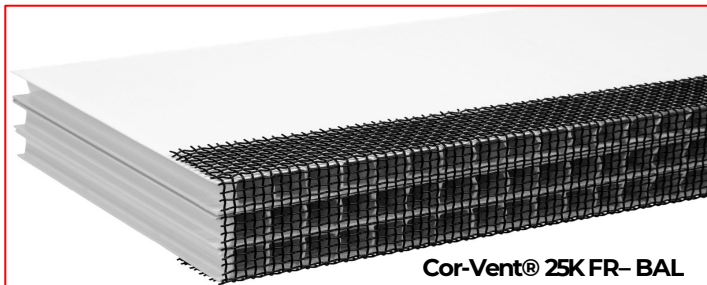
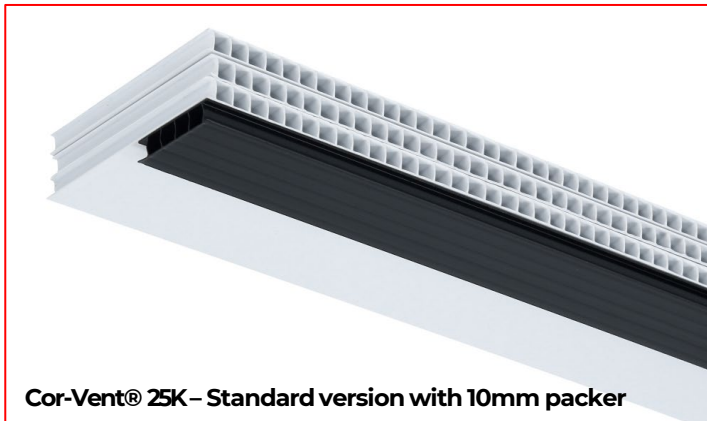
A passive Roof Ventilation device with compliance to Code NCC2022 ABCB housing Provision Part 10.8.3 & Vol1 F8D5 requirements. Designed to allow passive airflow over fascia and under pliable membrane (sarking), blanket and foil or flashing to reduce the risk of moisture and condensation in the roof attic.

Features

- Applies to DtS ventilation requirements for climate zones 6,7 and 8
- Designed for roof pitch ranging from 15 to 75 degrees
- BAL FR grade to 1530.3 (BAL 12.5 ~ BAL 29) with aluminium encapsulated mesh **
- Light weight and engineered from Corflute®
- Made from recyclable polypropylene(PP)
- Easy to install and offered in lengths up to 2.5 meters
- Can be screwed or bonded to battens or rafters.
- Additional 10mm Corflute® packer strip can be added to make up overall batten height of 40mm.

Technical Data

Criteria	Test Method	Value
Compression strength	AS1301.429S	Min 600 KPA
Melting temperature	ASTM3418	165°C
Maximum working temperature		90°C
Spread of Flame Index (range 1-10) **	AS1530.3	0
Smoke developed index (range 1-10) **	AS1530.3	3
Heat evolved index (range 1-10) **	AS1530.3	0
Ember protection **	AS3959	2mm aperture aluminium wire mesh



Cor-Vent® 8K BAL FR & Fire rate solutions

- Corex has developed a BAL rated fire-retardant solution.
- This is supplied with an encapsulated aluminium ember mesh protection with less than 2mm aperture and complaint to clause 3.6 AS3959 (BAL 12.5 – BAL 29)
- Corex BAL/FR grade products have been validated to AS1530.3.

- Spread of flame index 0
- Smoke developed index 3
- Heat evolved index 0

PRODUCT INFORMATION

Version: Cor-Vent Low Pitch r4A

Corex Plastics (Australia) Pty. Ltd.
261 Frankston Dandenong Road, Dandenong 3175 AUSTRALIA
Phone: +61 3 9238 1300 | Email: hello@corex.com.au

* All information is to the best of our knowledge, true and correct. However, as many factors outside our knowledge and control can effect the products, no warranty can be given or implied in respect of such information and no information should be construed as a warranty in relation to the product or its use.

PROUDLY
Australian

Contact:
Building Products Manager
building@corex.com.au

Find out more
corex.com.au

Roof Space Ventilation Requirements

Roof pitch	Ventilation openings
≥ 0° to < 15°	Exceeds 25000 mm ² /m along the longest building length

Product	Thickness (mm)	Width (mm)	Length (mm)	Weight (kg)	Ventilation minimum Free open area (mm ² /m)
Cor-Vent® 25K 100	31	100	2500	1.4	25,000
Cor-Vent® 25K 120	31	120	2500	1.8	25,000
Cor-Vent® 25K FR 100	31	100	2500	1.4	25,000
Cor-Vent® 25K FR 120	31	120	2500	1.8	25,000
Cor-Vent® 25K FR BAL 100	31	100	1200	1.6	25,000
Cor-Vent® 25K FR BAL 120	31	120	1200	2.0	25,000
Cor-Vent® 5K (high level)	6	100	2500	0.3	5,050
Cor-Vent® 10mm Packer	10	50	2500	0.25	N/A

- Cor-Vent 25K meets DTS 25000mm²/m installed along the longest building length and opposite ends for skillion roof < 10°.
- Cor-Vent 25K meets DTS 25000mm²/m installed along the longest building length on low level in conjunction with Cor-Vent® 5K on high level for roof pitch < 10° ~ 15°.

Roof Details	Roof Pitch	Profile type	
	0°-15°	Open	Corrugated
Membrane function	Type	Foil or B&F	
	Function	Thermal and Condensation Control	

Cor-Vent® 25K –Low Pitch Vent Installation

- Cor-Vent® 25K should be screwed to lower batten with standard roofing screw (rec Class 3). Screw flush or slightly below top face of Cor-Vent®. Minimum 3 places along the length of Cor-Vent® Strip
- Cor-Vent can be cut to size with a Stanley knife or cutting tool.
- Sarking is laid over the Cor-Vent® as shown.

Compliance Summary NCC2022 10.8.3

Working installation and reference calculations for Cor-Vent 25K Low Pitch Ventilation.

Example –Skillion Roof <10°

- Roof Pitch <10° Longest Horizontal Dimension =20m
- 25000mm²/m Ventilation opening required Low and High Level

Working installation and reference calculations for Cor-Vent 25K Low Pitch Ventilation.

Example –Skillion Roof 10°~15°

- Low level 25000mm²/m longest building length high level side and Low
- High level 1x5000mm²/m longest length for high level ventilation

Version: Cor-Vent Low Pitch r4A

Corex Plastics (Australia) Pty. Ltd.

261 Frankston Dandenong Road, Dandenong 3175 AUSTRALIA
Phone: +61 3 9238 1300 | Email: hello@corex.com.au

* All information is to the best of our knowledge, true and correct. However, as many factors outside our knowledge and control can effect the products, no warranty can be given or implied in respect of such information and no information should be construed as a warranty in relation to the product or its use.



Contact:
Building Products Manager
building@corex.com.au

Find out more
corex.com.au

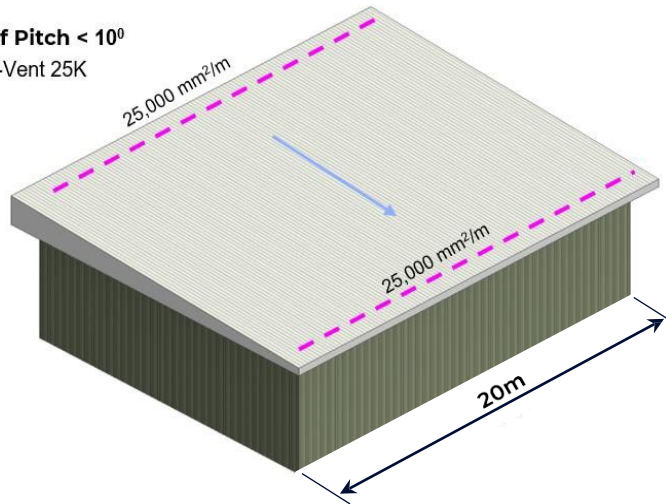
PRODUCT INFORMATION

Installation Method and Calculations –Low Pitched Roof

- For roof pitch 10° Cor-Vent 25K meet DTS 25,000 mm²/m installed along the longest building length.
- Cor-Vent 25K is rated @ 25,000mm²/m.
- Low Pitched Roof open venting calculated as follows:
- DtS calculation: 25,000mm²x20m x2 = 1000,000mm².
- Cor-Vent 25K @ 25,000mm² therefore meets requirements for both high- & low-level ventilation

Skillion Roof Pitch 10°

--- Cor-Vent 25K



- For roof pitch 10° - 15° Cor-Vent 25K low level and Cor-Vent 5K high level installed along the longest building length.
- Cor-Vent 25K is rated @ 25,000mm²/m and Cor-Vent 5K is rated @ 5,000mm²/m

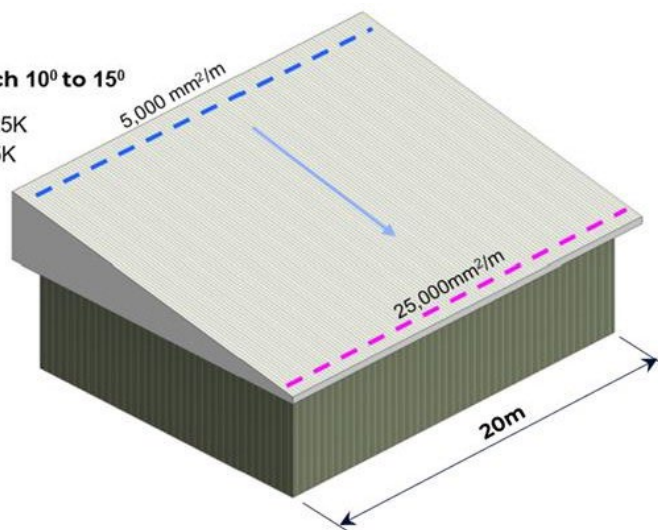
Low Pitched roof open vented calculated as follows:

- DtS calculation High level 5000mm²/m x 20m = 100,000mm²/m & low level 25000mm²/m x 20m = 500,000mm²/m
- Cor-Vent 5K @ 5050mm² x 20m = 101,000mm²/m & Cor-Vent @ 25000mm² x 20m = 500,000mm²/m Cor-Vent can exceed NCC DtS requirements.

Skillion Roof Pitch 10° to 15°

--- Cor-Vent 25K

--- Cor-Vent 5K



Version: Cor-Vent Low Pitch r4A

Corex Plastics (Australia) Pty. Ltd.

261 Frankston Dandenong Road, Dandenong 3175 AUSTRALIA
Phone: +61 3 9238 1300 | Email: hello@corex.com.au

* All information is to the best of our knowledge, true and correct. However, as many factors outside our knowledge and control can effect the products, no warranty can be given or implied in respect of such information and no information should be construed as a warranty in relation to the product or its use.

PROUDLY
Australian

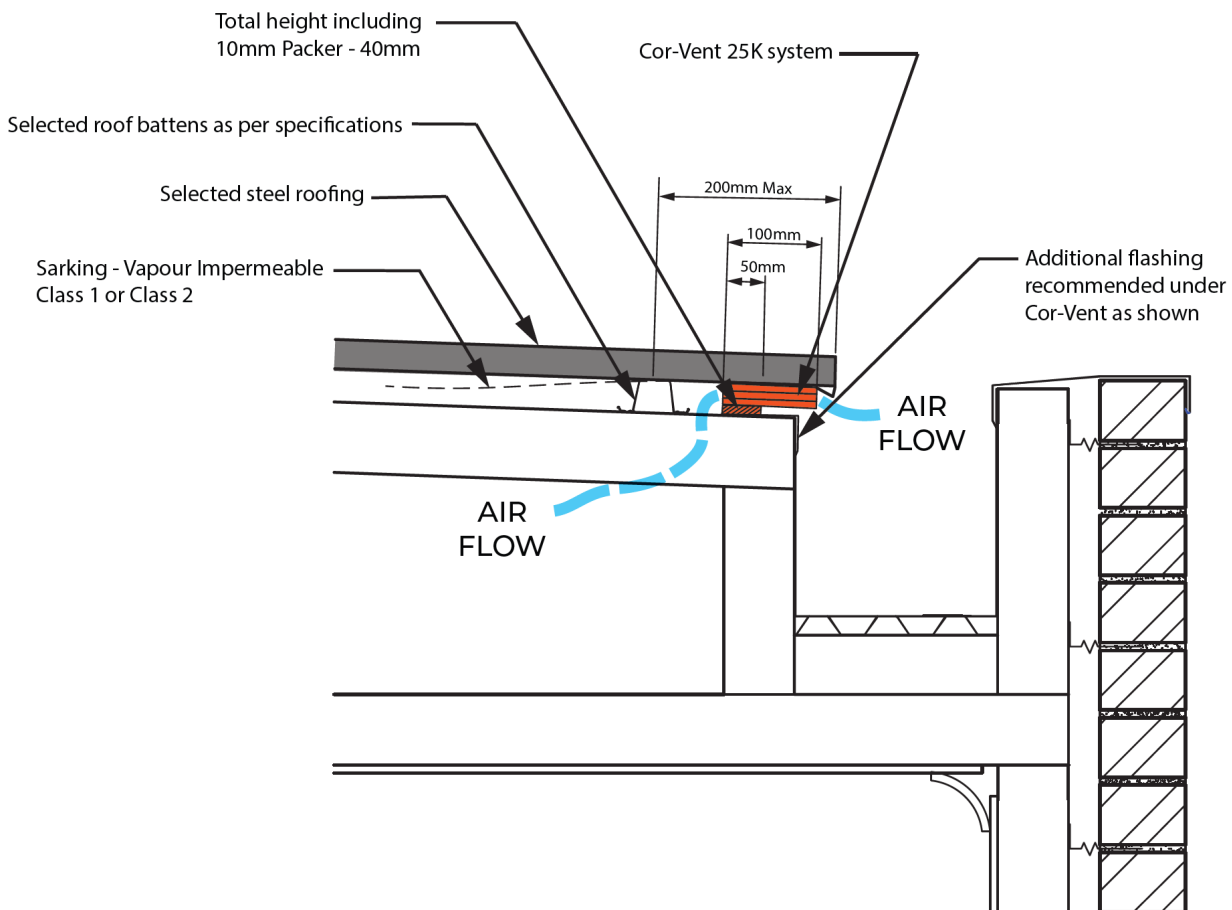
Contact:
Building Products Manager
building@corex.com.au

Find out more
corex.com.au

Working Installation Examples and Schematics

Cor-Vent® 25K Installed over Box gutter (includes 10mm Corflute packer)

- Fix vent device with low profile headed fasteners, drive fixing below vent surface
- Roofing fastener length should be checked to ensure secure fixing to structure
- Ventilation pathway must be maintained
- When sarking 25mm overhang into gutter must be maintained.
- Weather proofing must be maintained.
- Available Cor-Vent Bal 12.5 ~Bal 29 compliant solutions in designated bush fire zones.
- Encapsulated Aluminium ember mesh with Mesh aperture less than 2.0mm meets compliance with AS3959.
- Stormwater management must be maintained.
- Recommend High Front Gutter to be used in eave installation such as Lysaghts Trimline® Gutter
- Packer strip of 10mm Corflute can sit under Cor-Vent® 25K



Version: Cor-Vent Low Pitch r4A

Corex Plastics (Australia) Pty. Ltd.

261 Frankston Dandenong Road, Dandenong 3175 AUSTRALIA
Phone: +61 3 9238 1300 | Email: hello@corex.com.au

* All information is to the best of our knowledge, true and correct. However, as many factors outside our knowledge and control can effect the products, no warranty can be given or implied in respect of such information and no information should be construed as a warranty in relation to the product or its use.

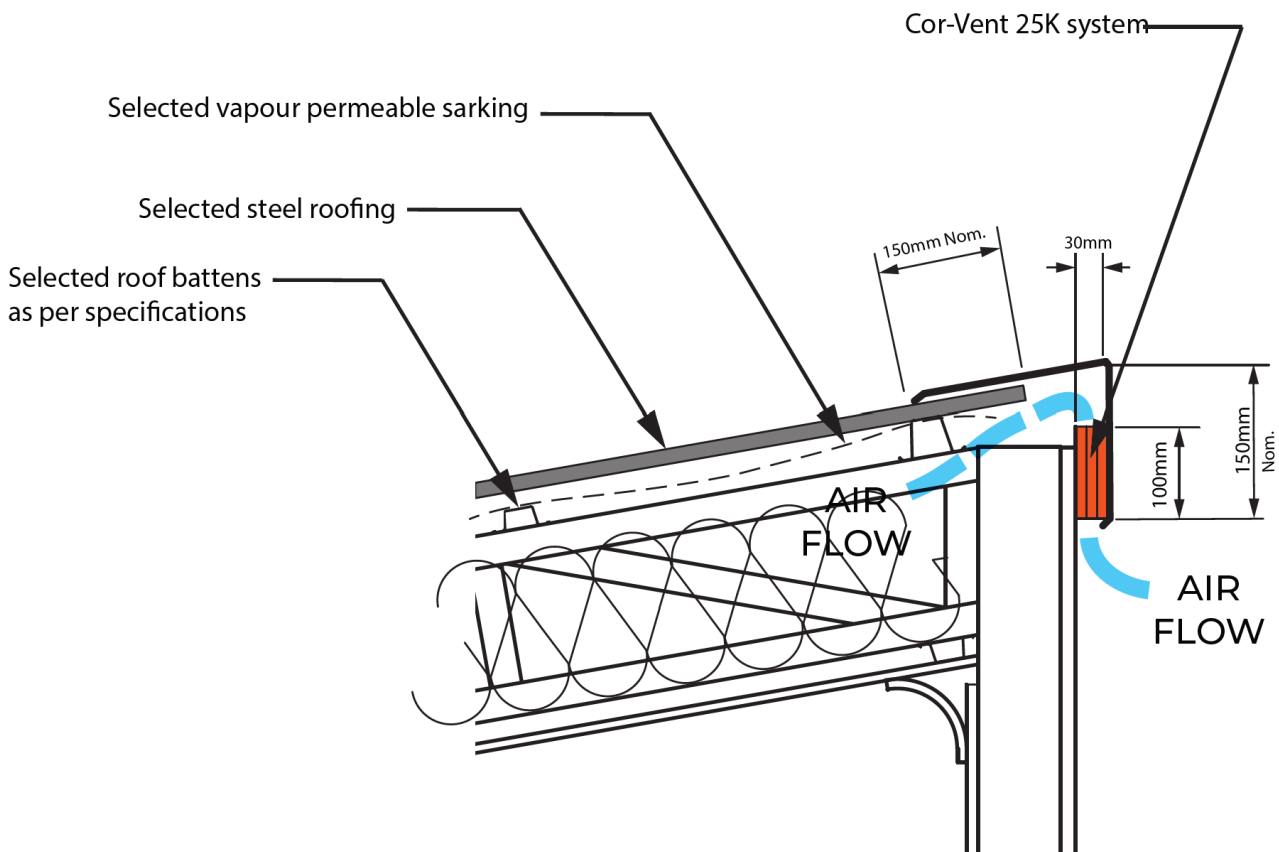
PROUDLY
Australian

Contact:
Building Products Manager
building@corex.com.au

Find out more
corex.com.au

Cor-Vent® 25K Installed high level vertical opening

- Fix vent device with low profile headed fasteners, drive fixing below vent surface
- Roofing fastener length should be checked to ensure secure fixing to structure
- Ventilation pathway must be maintained
- Weather proofing must be maintained
- Stormwater management must be maintained.



PRODUCT INFORMATION

Version: Cor-Vent Low Pitch r4A

Corex Plastics (Australia) Pty. Ltd.
 261 Frankston Dandenong Road, Dandenong 3175 AUSTRALIA
 Phone: +61 3 9238 1300 | Email: hello@corex.com.au

* All information is to the best of our knowledge, true and correct. However, as many factors outside our knowledge and control can effect the products, no warranty can be given or implied in respect of such information and no information should be construed as a warranty in relation to the product or its use.

PROUDLY
Australian

Contact:
Building Products Manager
building@corex.com.au

Find out more
corex.com.au

For up-to-date information and more products > [Plastic Cor-Vent | Corex](#)



PRODUCT INFORMATION

Corex Plastics (Australia) Pty. Ltd.

261 Frankston Dandenong Road, Dandenong 3175 AUSTRALIA
Phone: +61 3 9238 1300 | Email: hello@corex.com.au

* All information is to the best of our knowledge, true and correct. However, as many factors outside our knowledge and control can effect the products, no warranty can be given or implied in respect of such information and no information should be construed as a warranty in relation to the product or its use.

PROUDLY
Australian

Contact:
Building Products Manager
building@corex.com.au

Find out more
corex.com.au